

# 83818-20XXX-XXLX-XXLF

CARD TYPE II : 2

OPEN END : 0

LABEL RECESS : 0 = NO  
1 = YES (63 X 41.2)  
2 = CUSTOMIZATION

INSULATOR : 0 = NO  
1 = YES (STANDARD)  
2 = CUSTOMIZATION

CARDBUS : 0 = NO  
1 = YES

CUSTOMIZATION :BLANK = NO CUSTOMIZATION  
01 = RICOLA BOTTOM CARDSHIELD  
04 = RICOLA TOP CARDSHIELD

## RoHS COMPLIANT SPECIFICATION (optional)

LF (blank)


83818-20XXX-XX IS SIMILAR TO 83818-20XXX-XXLF, THE SUFFIX "LF" IS ADDED FOR LEAD FREE IDENTIFICATION. THIS PRODUCT MEETS EUROPEAN UNION DIRECTIVES AND OTHER COUNTRY REGULATIONS AS PER GS-22-008. PACKAGING SPECIFICATION GS-14-920.

**NOTES :**

- 1- CARDSHIELD :
  - MATERIAL = STAINLESS STEEL
  - TEXTURE AND VISUAL QUALITY ACCORDING GS-12-022
  - THICKNESS 0.2
- 2- FRAME BAR :
  - MATERIAL = PPO BLACK UL94 V-0
- 3- INSULATOR :
  - MATERIAL : POLYESTER FOIL
  - DIELECTRIC STRENGTH = 2 500 V
  - TEMPERATURE RANGE : -40 °C TO +85 °C
- 4- PACKAGED IN THERMOFORMED TRAY ACCORDING GS-14-995  
500 PCS PER CARTON BOX.

rev	ecn no	dr	date
A	F10759	LSA	01.03.28
B	F10564	FCH	01.10.23
C	F05-0270	LSA	05-10-07
D	F06-0254	LSA	05-11-07
E	F07-0213	LSA	06-06-29
F	F07-0133	LSA	07-02-15
-	-	-	-

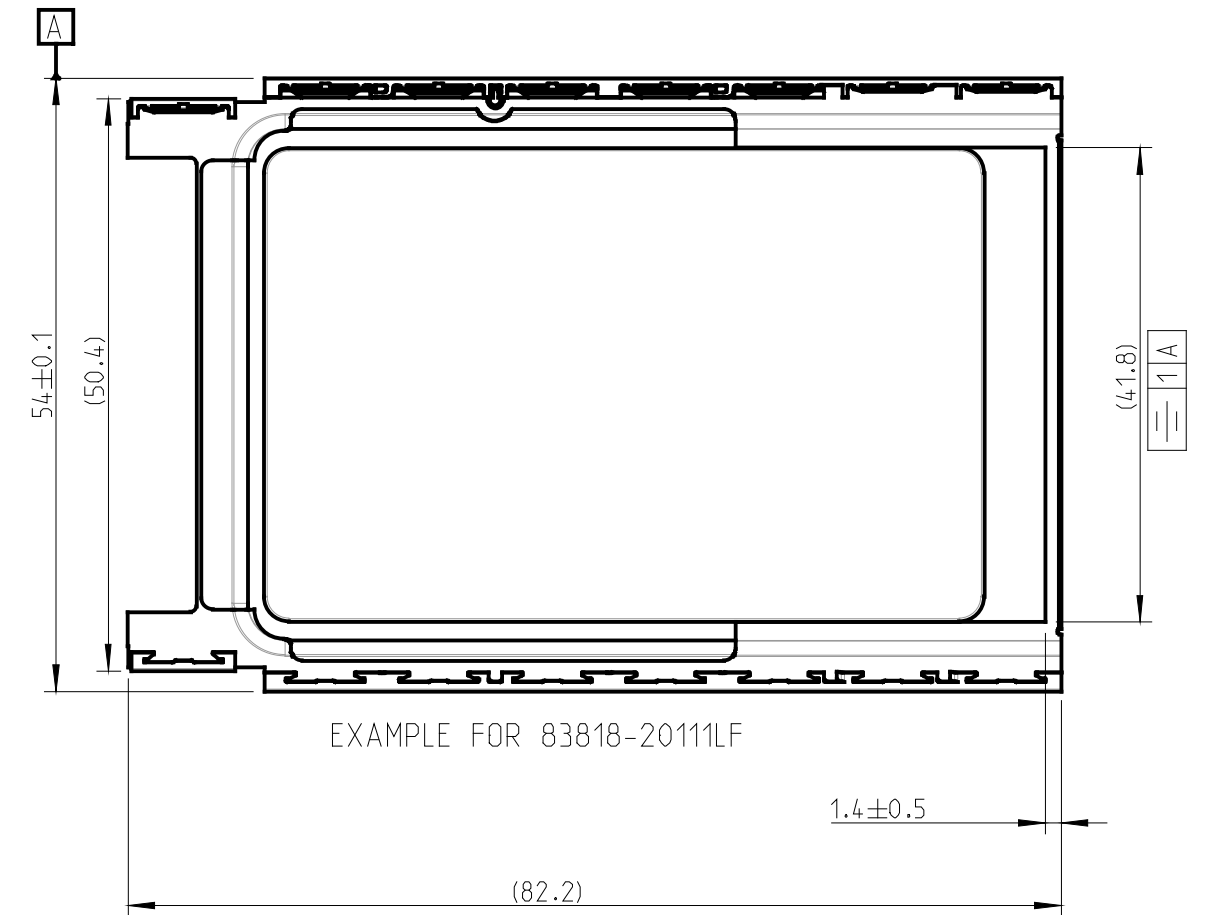
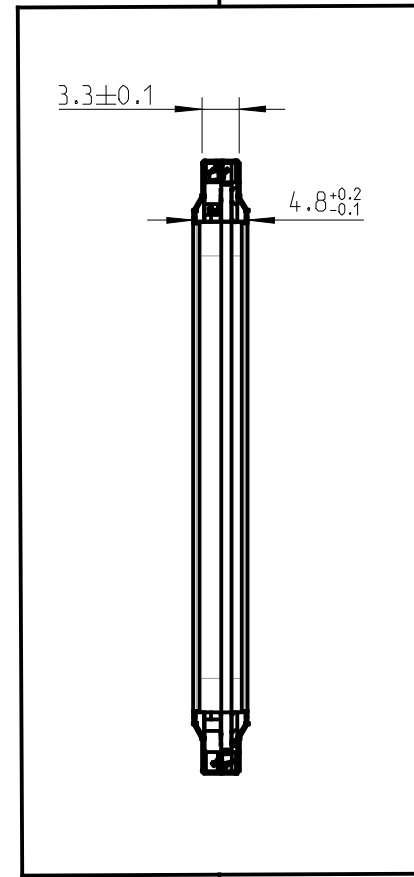
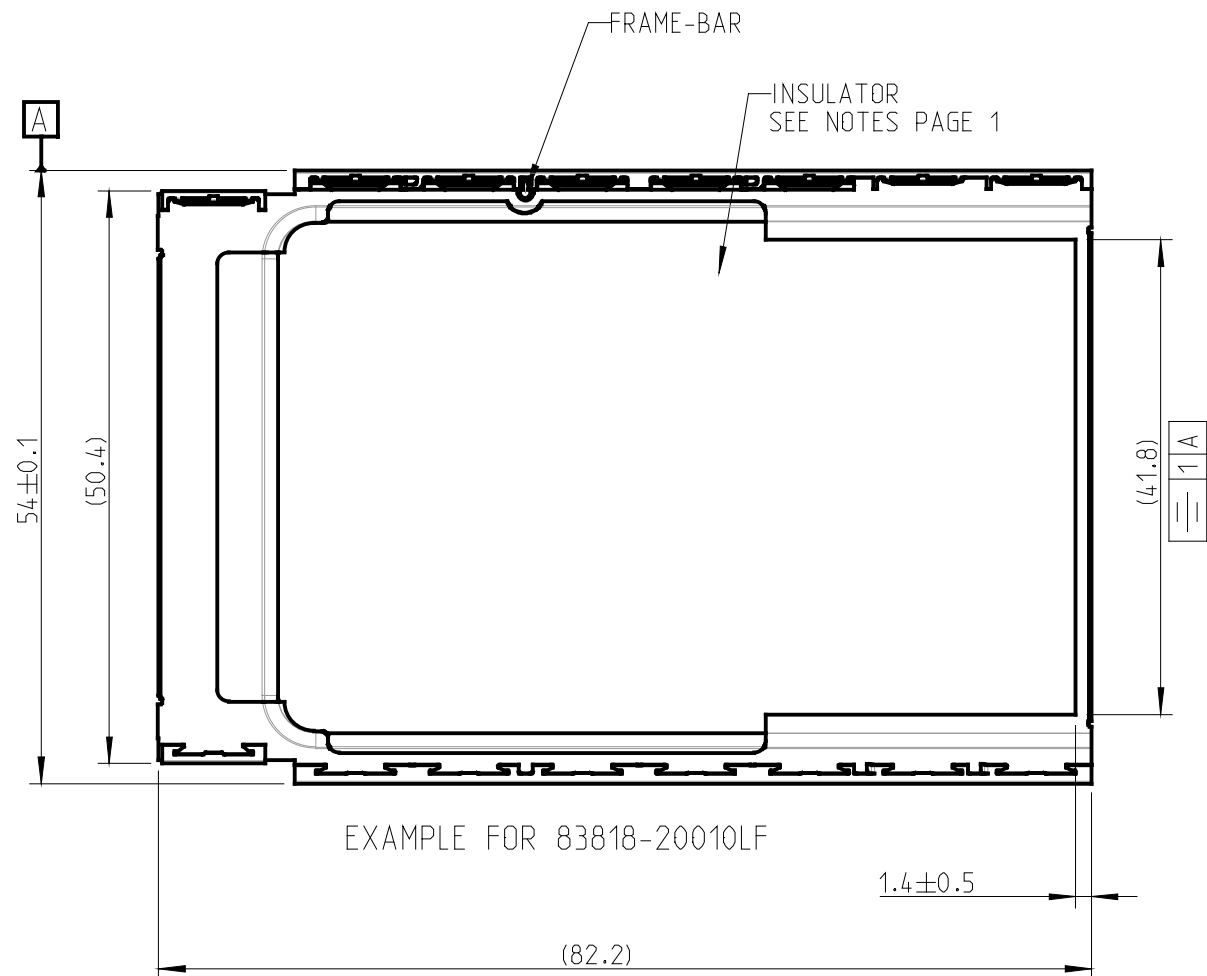
Mark with (N/A)

Material	-	Spec ref	GS-19-022
Mat code	-	surface	✓ ISO 1302
Heat treat	-	tolerance	ISO 406
Plating/Finish	-		ISO 1001
Dr	L. SAILLARD 05-06-10	projection	 mm
Eng	L. SAILLARD 05-06-10	size	A4 Scale 1:1
Chr	G. PEQUIGNOT 05-06-10	Product family	PCMCIA
Appr /	/	Model Name	83818-20121-03
		Model Revision	1
		REL Level	RELEASED
		ECN	F06-0213
		Weight	83818C
		Rev.	F
Pro/E file	catalog no	CUSTOMER	sheet 1 of 3



STANDARD PART NUMBER	LABEL RECESS	MADE FROM		
		CARDSHIELD	FRAME-BAR	INSULATOR
83818-20000LF	NO	10047174-2000	YES	NO
83818-20000				
83818-20010LF	NO	10047174-2000	YES	YES
83818-20010				
83818-20100LF	YES	10047174-2010	YES	NO
83818-20100				
83818-20110LF	YES	10047174-2010	YES	YES
83818-20110				

STANDARD CARDBUS PART NUMBER	LABEL RECESS	MADE FROM		
		CARDSHIELD	FRAME-BAR	INSULATOR
83818-20001LF	NO	10047174-2001	YES	NO
83818-20001				
83818-20011LF	NO	10047174-2001	YES	YES
83818-20011				
83818-20101LF	YES	10047174-2011	YES	NO
83818-20101				
83818-20111LF	YES	10047174-2011	YES	YES
83818-20111				



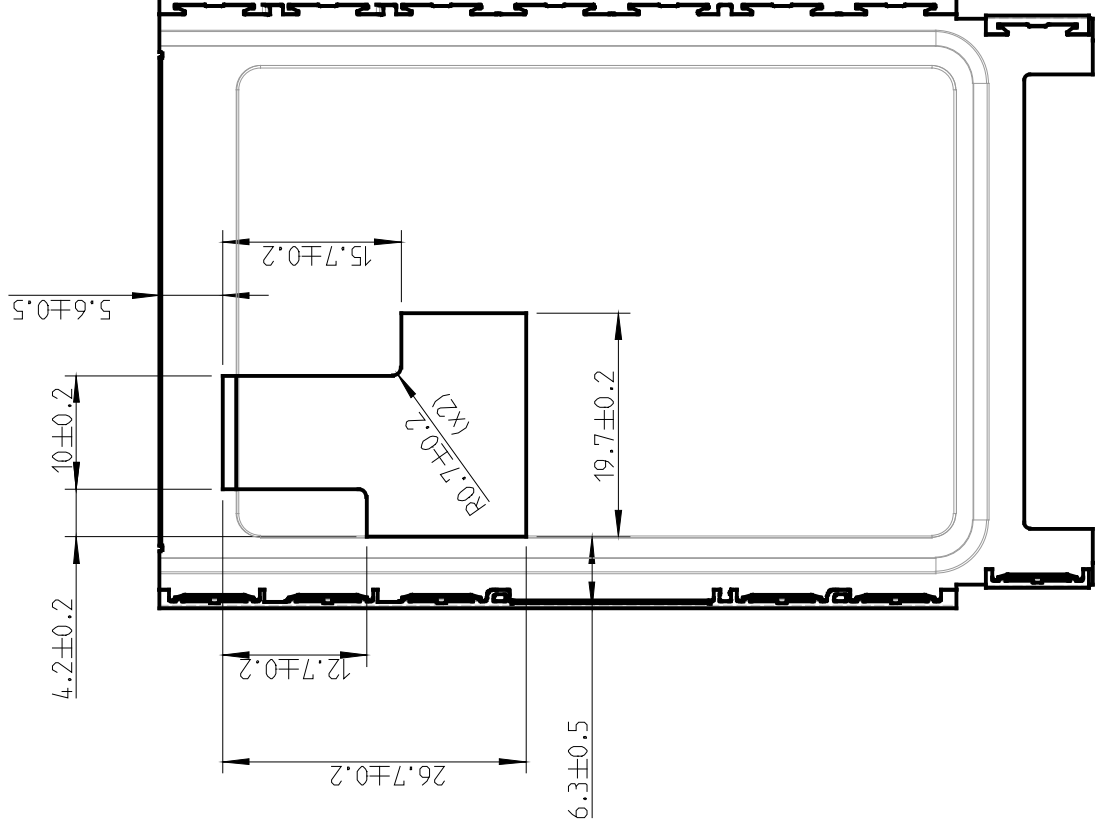
ON 83818-20XXXLF, THE SUFFIX "LF" IS ADDED FOR LEAD FREE IDENTIFICATION. THIS PRODUCT MEETS EUROPEAN UNION DIRECTIVES AND OTHER COUNTRY REGULATIONS AS PER GS-22-008. PACKAGING SPECIFICATION GS-14-920.

Copyright FCI.

	title - STANDARD CARDSHIELD - ROCARD CARDSHIELD	dwg no <b>83818C</b>	Rev. <b>F</b>
	catalog no -	<b>CUSTOMER</b>	sheet 2 of 3

PART NUMBER
83818-20121-04LF

83818-20XXX-XX IS SIMILAR TO 83818-20XXX-XXLF, THE SUFFIX "LF" IS ADDED FOR LEAD FREE IDENTIFICATION. THIS PRODUCT MEETS EUROPEAN UNION DIRECTIVES AND OTHER COUNTRY REGULATIONS AS PER GS-22-008. PACKAGING SPECIFICATION GS-14-920.



NOTES :

- INSULATOR :
  - MATERIAL : POLYESTER FOIL
  - DIELECTRIC STRENGTH = 2 500 V
  - TEMPERATURE RANGE : -40 °C TO +85 °C
- PACKAGED IN THERMOFORMED TRAY ACCORDING GS-14-995  
500 PCS PER CARTON BOX.

## CUSTOMIZED PRODUCT

Material	-	Spec ref	GS-19-022	projection		mm
Mat code	-	surface	✓	tolerance	ISO 406	
Heat treat	-		ISO 1302		ISO 1001	
Plating/Finish	-			size	A4	Scale 1:1
Dr	L. SAILLARD 05-06-10			Product family	PCMCIA	
Eng	L. SAILLARD 05-06-10			Model Name	83818-20121-03	ECN F06-0213
Chr	G. PEQUIGNOT 05-06-10			Model Revision	I	REL Level RELEASED
Appr /	/					
		- TOP CARDSHIELD		83818C		Rev. F
Pro/E file	catalog no	-		CUSTOMER		sheet 3 of 3

